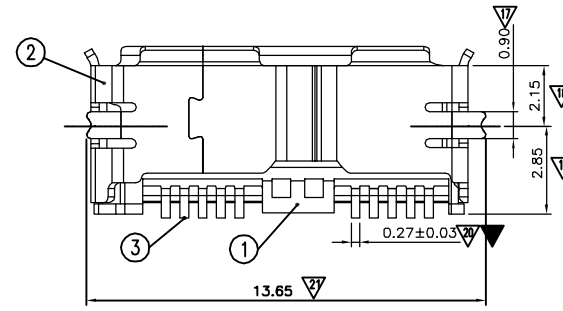
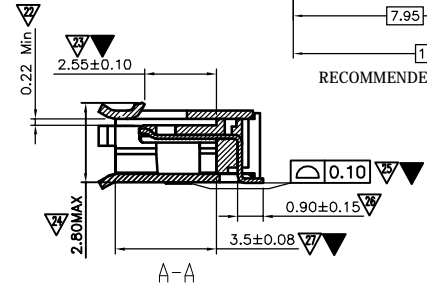
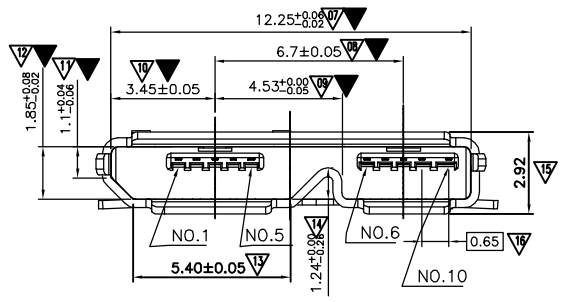
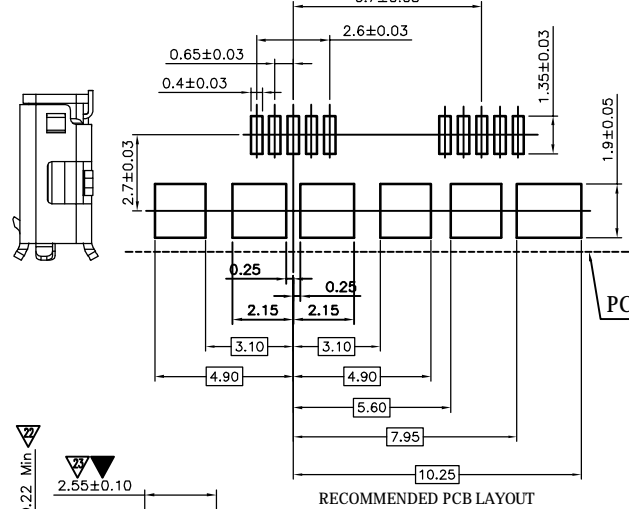
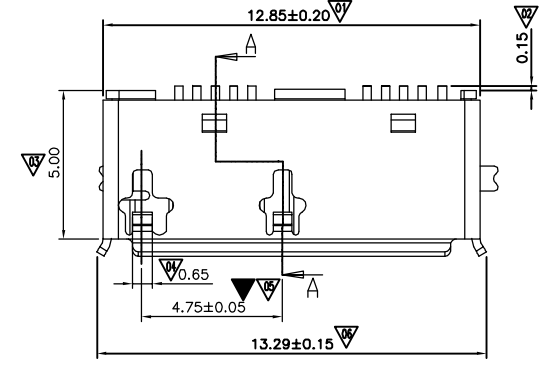


REV.	ECN. NO.	LOCATIONS	DESCRIPTION	DATE	DESIGN



NETS:

- 1.MECHANIAL;  
MATING:35N MAX  
WITHDRAWAL:10N.MIN  
DURABILTY:1500 CYCLES.MIN.
- 2.ELECTRICAL:  
CURRENT:100..mA. MAX  
VOLTAGE:20mV.MAX  
WITHSTANDING.VOLTAGE:100v.AC  
CONTACT.PESISTANCE:30MΩMax-50mΩ  
INSULATION PESISTANE:1000MΩ MIN
- 3.ENVIPONEMNTAL  
TEMPERATURE.RANCE-55° C--+85° C
- 4.PRODUCT:MEET FOR ROHS.STANDAR

ITEM	PART,NAME	Q'TY	METERIAL
1	HOUSING	1	LCP.BLACK
2	CONTACT1	10	C2680R-H.GOLD.XU"
3	SHELL	1	STAINLESSGOLD FLASH
4			
5			

INTENDED USE	UNIT : mm	华捷科技有限公司	
PART NO.	FINISH		
TOLERANCES	MAT'L	FILE NO. US010BFXSX-001-01	TITLE: USB3.0 BF MICRO
.X ± 0.35 .X *± 3*		APPD:	DWG NO.:
.XX± 0.25 .XX*± 2*		CHKD:	REC. CONNECTOR
		DR: Gary.Lee	REV. A
			SCALE 1;1 SHEET 1 OF 1

- NOTES:
- INSULATOR: LCP . COLOR-BLACK
  - USB CONTACT: BRASS.0.15mm THICKNESS,SELECTIVE GOLD. PLATED ON CONTACT AREA, GOLD FLASH PLATED ON SOLDER TAIL, 80 U" MIN. NICKEL UNDERPLATED OVERALL.
  - SHELL: STAINLESS STEEL ,0.3mm THICKNESS,GOLD FLASH PLATED ON THE SOLDERING TAB.

US010BFXSX-001-01

- N:NY9T
- L:LCP
- P:PBT
- 1:5U"FULL AU N180u"MIN
- 2:3u"FULL AU N180u"MIN
- 3:10u"FULL AUN180u"MIN
- 4:15u"FULL AUN180u"MIN
- 5:30u"FULL AUN180u"MIN